

DALLA
CORTE

SPARE PARTS CATALOGUE

dc

two



ITEM	CODE	DESCRIPTION	NOTE
1	A-GR-0108A	DC-TWO FRONT CONTROL P. ALUMINIUM	See Detail Sheet 11
1 a	A-GR-0108N	DC-TWO FRONT CONTROL BLACK RAL 9005	See Detail Sheet 11
1 b	A-GR-0108T	DC-TWO FRONT CONTROL TITANIUM	See Detail Sheet 11
1 c	A-GR-0108W	DC-TWO FRONT CONTROL WHITE RAL 9003	See Detail Sheet 11
1 d	A-GR-0108D	DC-TWO FRONT CONTROL DARK RAL 9004	See Detail Sheet 11
1 f	A-GR-0108QG	DC-TWO FRONT CONTROL Q.GREY	See Detail Sheet 11
1 g	A-GR-0108SR	DC-TWO FRONT CONTROL SPARK.RED	See Detail Sheet 11
2	B-GR-0164A	ANODIZED RIGHT PANEL	Add n.1 B-MC-0704A
2 a	B-GR-0157CNN	RIGHT PANEL BLACK RAL 9005	Add n.1 B-MC-0704A
2 b	B-GR-0162C	RIGHT PANEL Q. GREY RAL 7039	Add n.1 B-MC-0704A
2 c	B-GR-0163C	RIGHT PANEL SPARK RED RAL 3000	Add n.1 B-MC-0704A
2 d	B-GR-0165C	RIGHT PANEL WHITE RAL 9003	Add n.1 B-MC-0704A
2 e	B-GR-0155CD	RIGHT PANEL DARK RAL 9004	Add n.1 B-MC-0704A
2 f	K-0197-0	OAK PANELS KIT DC TWO	PAN. R + PAN. L + PAN. REAR
2 g	K-0197-WN	WALNUT PANELS KIT DC TWO	PAN. R + PAN. L + PAN. REAR
3	B-MC-0704A	DC LOGO PL. SMALL 42X46	
4	A-GR-0009	DC-ONE COMPLETE PRESSER D 54	See Detail Sheet 10
5	B-GR-0007	GRINDER COFFEE COLLECT. TRAY	
6	B-GR-0070	ANODIZED LEFT PANEL	
6 a	B-GR-0077NN	LEFT PANEL BLACK RAL 9005	
6 b	B-GR-0097Q	LEFT PANEL Q. GREY RAL 7039	
6 c	B-GR-0097R	LEFT PANEL SPARK RED RAL 3000	
6 d	B-GR-0136	LEFT PANEL WHITE RAL 9003	
6 e	B-GR-0003D	LEFT PANEL DARK RAL 9004	
6 f	K-0197-0	OAK PANELS KIT DC TWO	PAN. R + PAN. L + PAN. REAR
6 g	K-0197-WN	WALNUT PANELS KIT DC TWO	PAN. R + PAN. L + PAN. REAR
7	B-GR-0076	GRINDER ANGLE EL. ALUMINIUM	
7 a	B-GR-0062	ANGLE WHITE PAINTED RAL 9003	
7 b	B-GR-0063	ANGLE TITANIUM PAINTED	
7 c	B-GR-0002D	ANGLE DARK PAINTED RAL 9004	
7 d	B-GR-0132	ANGLE BLACK PAINTED RAL 9005	
7 f	B-GR-0002-QG	ANGLE Q. GREY PAINTED	
7 g	B-GR-0002-SR	ANGLE SPARK.RED PAINTED	
8	B-00-0068	2-POLE SWITCH 250V 16 A	
9	B-GR-0057	DC GRINDER INT. SERIAL CABLE	
10	B-00-0103	SCREW TE 8.8 M6x16 DIN933	
11	B-00-0113	FLANGED NUT M6 DIN6923	
12	B-GR-0143	REAR PANEL POWER DC-TWO AISI 304	
13	B-GR-0106	REAR PANEL INOX	
13 a	B-GR-0106NN	REAR PANEL BLACK RAL 9005	
13 b	B-GR-0168	REAR PANEL WHITE RAL 9003	
13 c	B-GR-0106D	REAR PANEL DARK RAL 9004	
13 d	K-0197-0	OAK PANELS KIT DC TWO	PAN. R + PAN. L + PAN. REAR
13 e	K-0197-WN	WALNUT PANELS KIT DC TWO	PAN. R + PAN. L + PAN. REAR
14	B-00-0194	CYLINDRICAL PIN D3 x 16	

DALLA CORTE
SPARE PARTS CATALOGUE

DESCRIPTION	GENERAL EXPLODE
ASSEMBLY CODE	

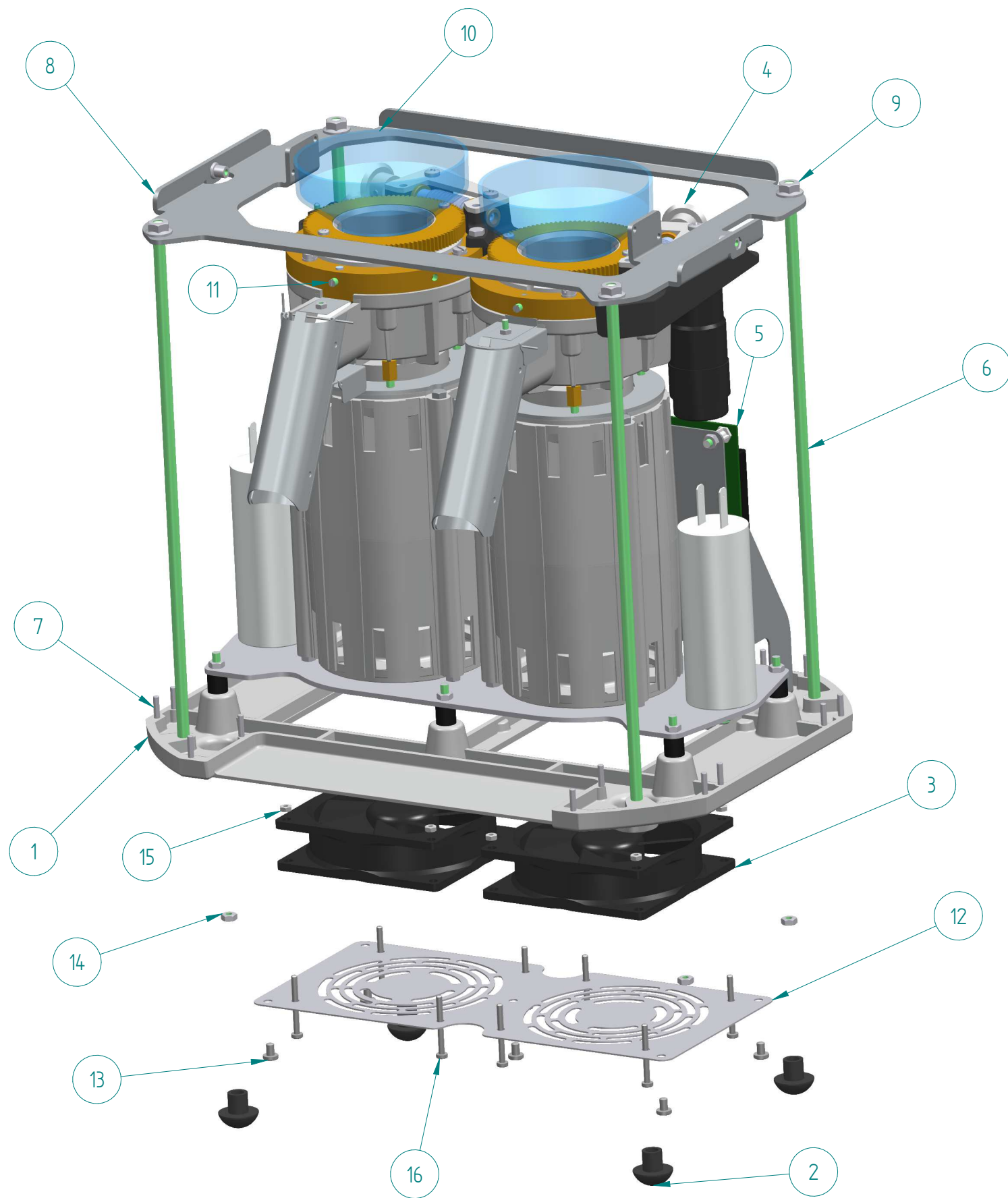
REV	21
EMISSION DATE	APRIL 2020

NOTE:	* ALTERNATIVE TO THE REPRESENTED COMPONENT

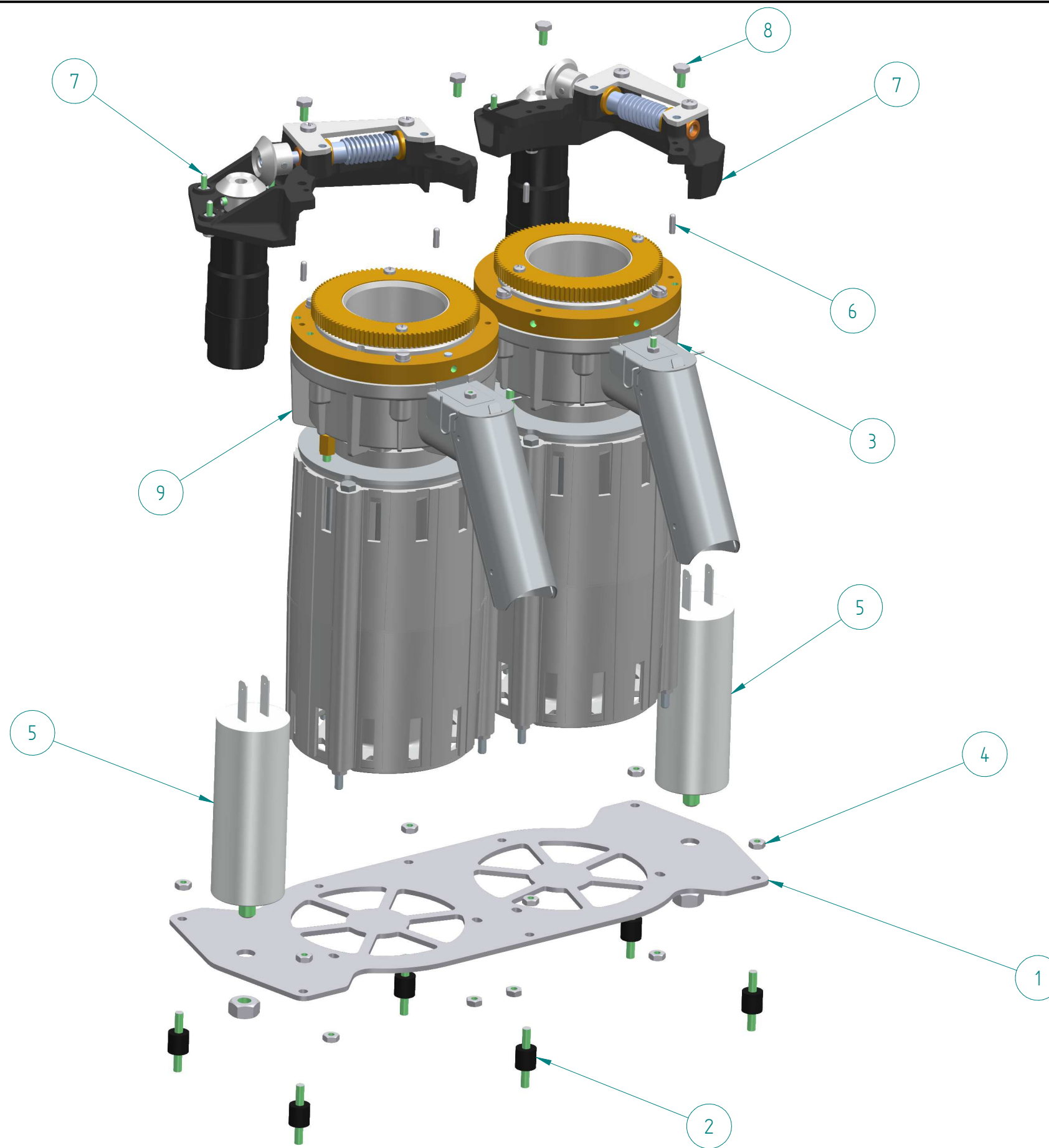
DALLA CORTE SRL reserves by law the property of the drawing, prohibiting its reproduction or disclosure to third parties or competitors without prior written advice.



ITEM	CODE	DESCRIPTION	NOTE
15	B-GR-0146	DC-TWO GRINDER TOP ALUMINIUM	
15 a	B-GR-0151	DC-TWO GRINDER TOP WHITE RAL 9003	
15 b	B-GR-0152	DC-TWO GRINDER TOP TITANIUM	
15 c	B-GR-0167	DC-TWO GRINDER TOP BLACK RAL 9005	
15 d	B-GR-0102D	DC-TWO GRINDER TOP DARK RAL 9004	
15 f	B-GR-0102-QG	DC-TWO GRINDER TOP QUARTZ GREY	
15 g	B-GR-0102-SR	DC-TWO GRINDER TOP SPARKLING RED	
16	B-00-0209	SCREW TCCE M4x16 A2 DIN912	
17	B-00-0197	GRUB SCREW M4 x 10 DIN 913	
18	B-GR-0209	HOPPER GASKET 3mm	
19	A-GR-0106	1 KG COMPLETE FEEDBOX	
20	B-00-0323	SPRING PIN D3 x 10	
21	B-GR-0118	DC-TWO PLATE (2 PCS)	
22	B-GR-0113	FEEDBOX LID D 125	



ITEM	CODE	DESCRIPTION	NOTE
1	B-GR-0145	DC-TWO GRINDER BASE ALUMINIUM	
1 a	B-GR-0149	DC-TWO GRINDER BASE WHITE RAL 9003	
1 b	B-GR-0150	DC-TWO GRINDER BASE TITANIUM	
1 c	B-GR-0166	DC-TWO GRINDER BASE BLACK RAL 9005	
1 d	B-GR-0101D	DC-TWO GRINDER BASE DARK RAL 9004	
1 f	B-GR-0101-QG	DC-TWO GRINDER BASE QUARTZ GREY	
1 g	B-GR-0101-SR	DC-TWO GRINDER BASE SPARKLING RED	
2	B-00-0196	RUBBER FOOT	
3	B-GR-0043	GRINDER FAN	
4	A-GR-0102	DC-TWO GRINDER MECHANICS	See Detail Sheet 6
5	A-GR-0103	DC-TWO COMPLETE POWER BOARD	See Detail Sheet 12
6	B-00-0201	TIE EL. FE ZN M6x275 DIN 975	
7	B-00-0194	CYLINDRICAL PIN D3 x 16	
8	B-GR-0109	DC-TWO CONNECTION PLATE	
9	B-00-0113	FLANGED NUT M6 DIN6923	
10	B-GR-0092	GRINDER INTERNAL FUNNEL	
11	B-00-0195	GRUB SCREW A2 M4 x 6 DIN 914	
12	B-GR-0108	DC-TWO FAN PROTECTION	
13	B-00-0111	SCREW TC+ A2 M4x6 DIN7985	
14	B-00-0121	NUT M4 DADO M4 UNI 5588 ZN	
15	B-00-0135	NUT M3 UNI5588	
16	B-00-0193	SCREW TC+ M3x30 DIN 7985 A	



ITEM	CODE	DESCRIPTION	NOTE
	A-GR-0102	DC-TWO GRINDER MECHANICS	
1	B-GR-0107	DC-TWO MOTOR SUPPORT PLATE	
2	B-00-0198	ANTIVIBRATION M4 x 10 55SH	
3	A-GR-0012	GRINDING UNIT MY15	Since S.N. T150142 See Sh. 7 e 8
3 a	A-GR-0004	DC-ONE -GROUP OF GRIND	Until S.N. T150141
3 b	A-GR-0015	GRINDING UNIT 115V	
4	B-00-0121	NUT M4 DADO M4 UNI 5588 ZN	
5	B-00-0420	12,5 µF CONDENSER UL	
5 a	B-00-0356	30 µF CONDENSER UL	
6	B-00-0202	CYLINDRICAL PIN D3x10	
7	A-GR-0006	DC-ONE GRINDER SETTING UNIT	See Detail Sheet 9
8	B-00-0102	SCREW TE 8.8 M4x8 DIN933	
9	A-GR-0104	DC-TWO LEFT GRINDING UNIT	See Sh. 7 e 8

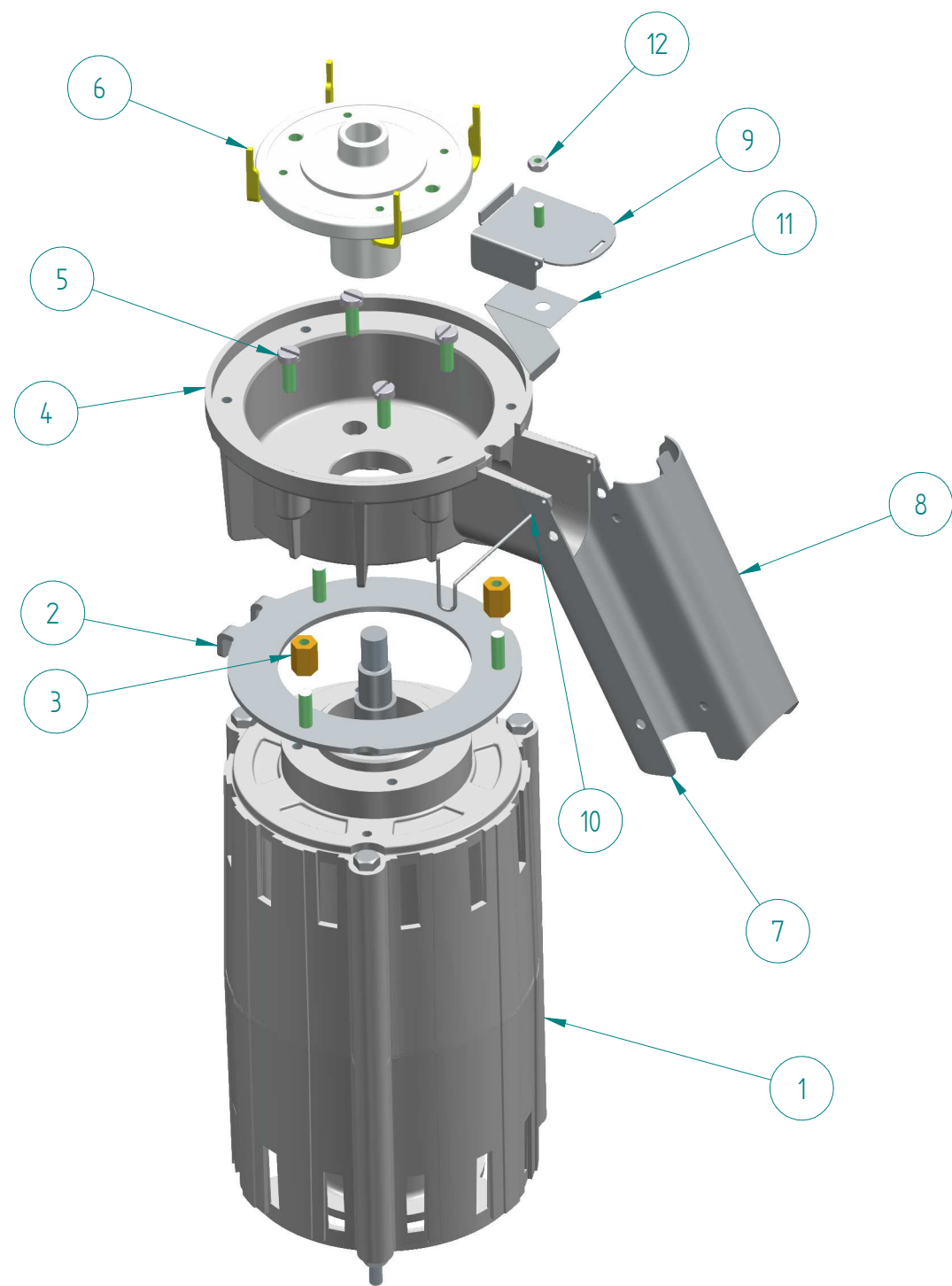
DALLA CORTE
SPARE PARTS CATALOGUE

DESCRIPTION	DC-TWO GRINDER MECHANICS
ASSEMBLY CODE	A-GR-0102

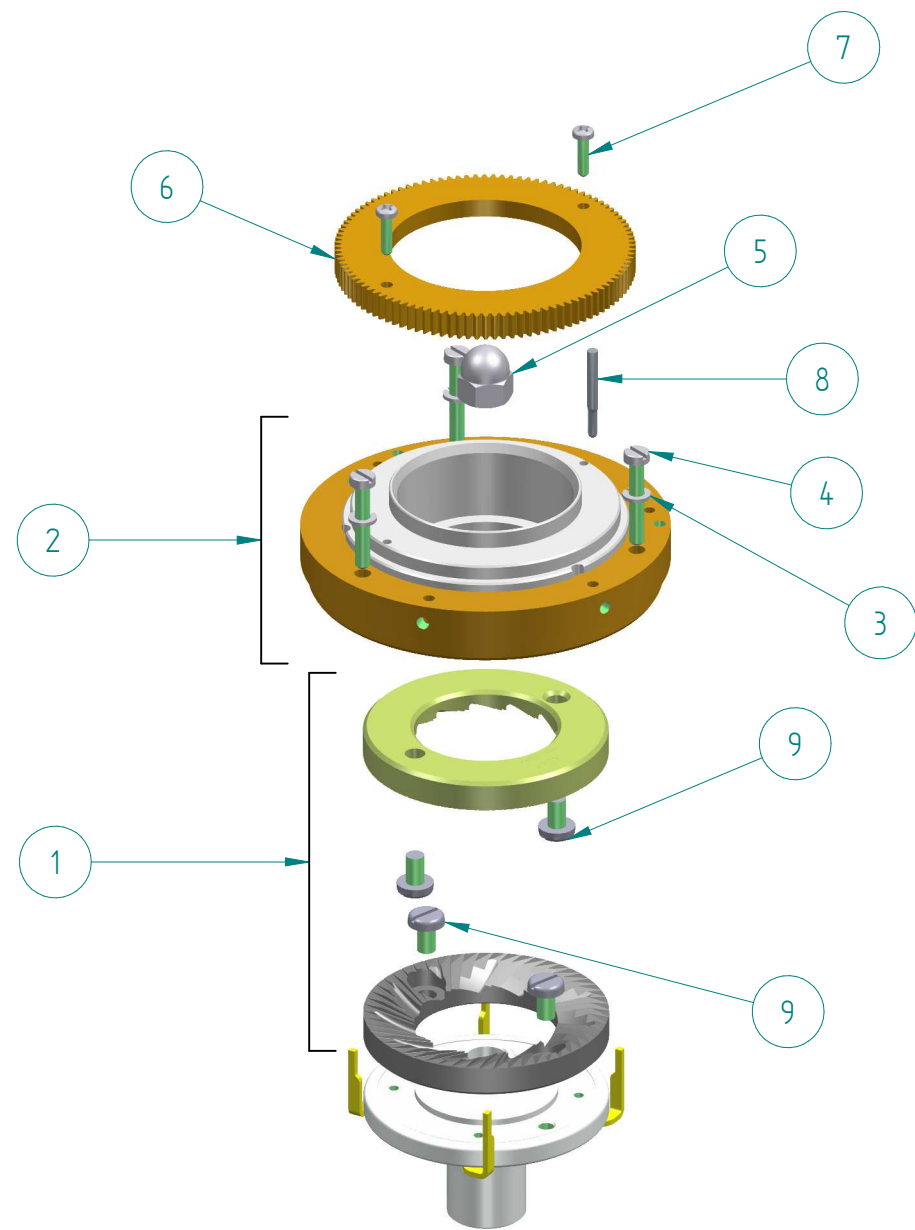
REV	21
EMISSION DATE	APRIL 2020

NOTE:	* ALTERNATIVE TO THE REPRESENTED COMPONENT

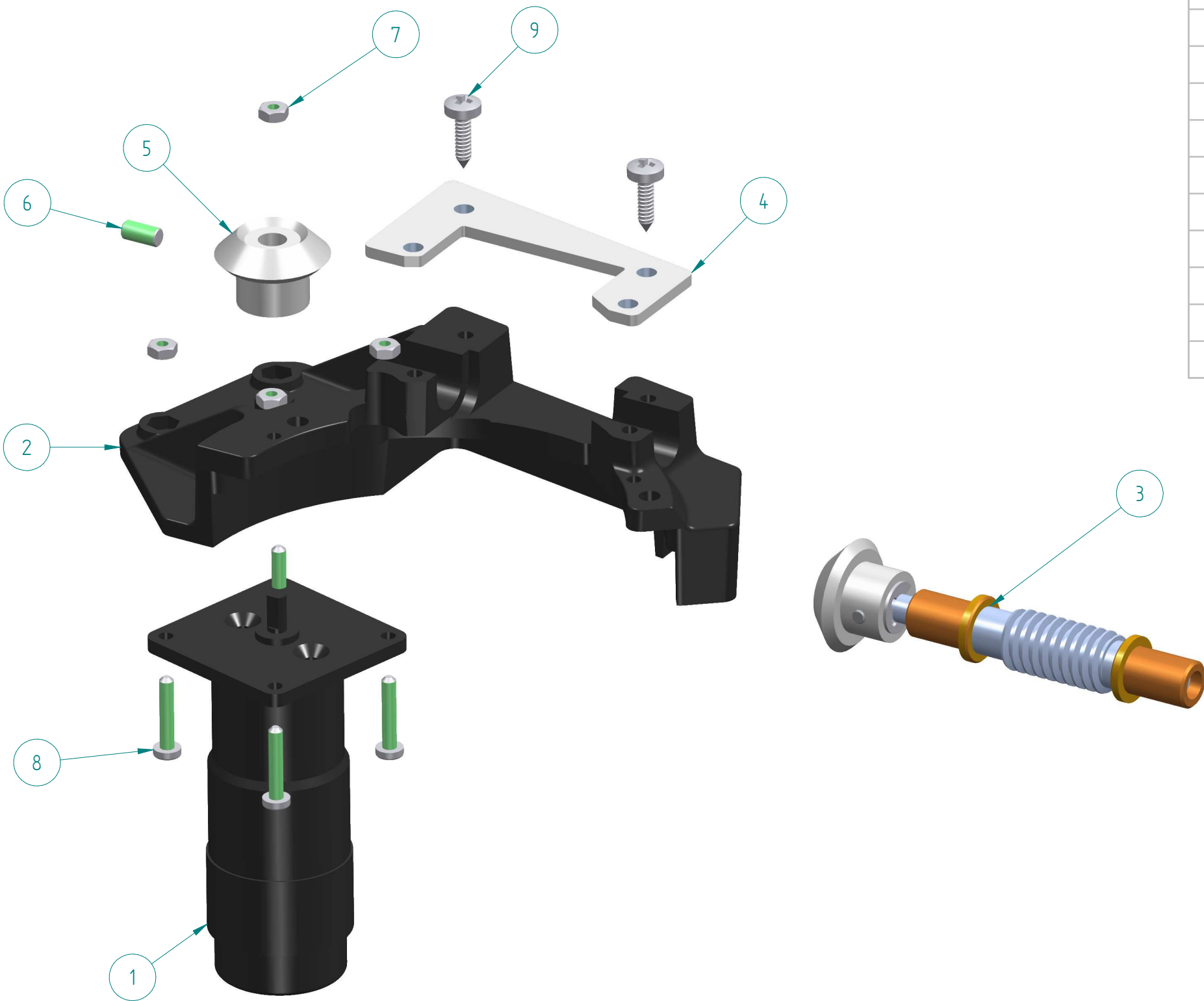
SHEET	6
-------	---



ITEM	CODE	DESCRIPTION	NOTE
	A-GR-0012	GRINDING UNIT MY15	
1	B-00-0219	MOTOR 230V 245W CL "F"	
2	B-GR-0142	MAX GRINDING BODY ADJUST.RING	
3	B-GR-0170	THREADED SOCKET M4 x 10	
4	B-GR-0083A	GRINDING UNIT BODY	Since S.N. G150264
4a	B-GR-0083	BODY GROUP GRINDING GRINDER	Until S.N. G150263
5	B-00-0249	SCREW TC- M4 x 12	
6	A-GR-0111	LOWER G. DISC HOLDER-GRINDER	
6a	A-GR-0111MK	LOWER G. DISC HOLDER-GRINDER MK	OLD VERSION
7	B-GR-0139BEP	SPOUT	
8	B-GR-0140BEP	GRINDER SPOUT COVER	
9	B-GR-0141	SPOUT TOP COVER	
10	B-GR-0148	SPOUT FIXING SPRING	
11	B-GR-0174	FLAT SPRING	Since S.N. G15002058
12	B-00-0135	NUT M3 UNI5588	

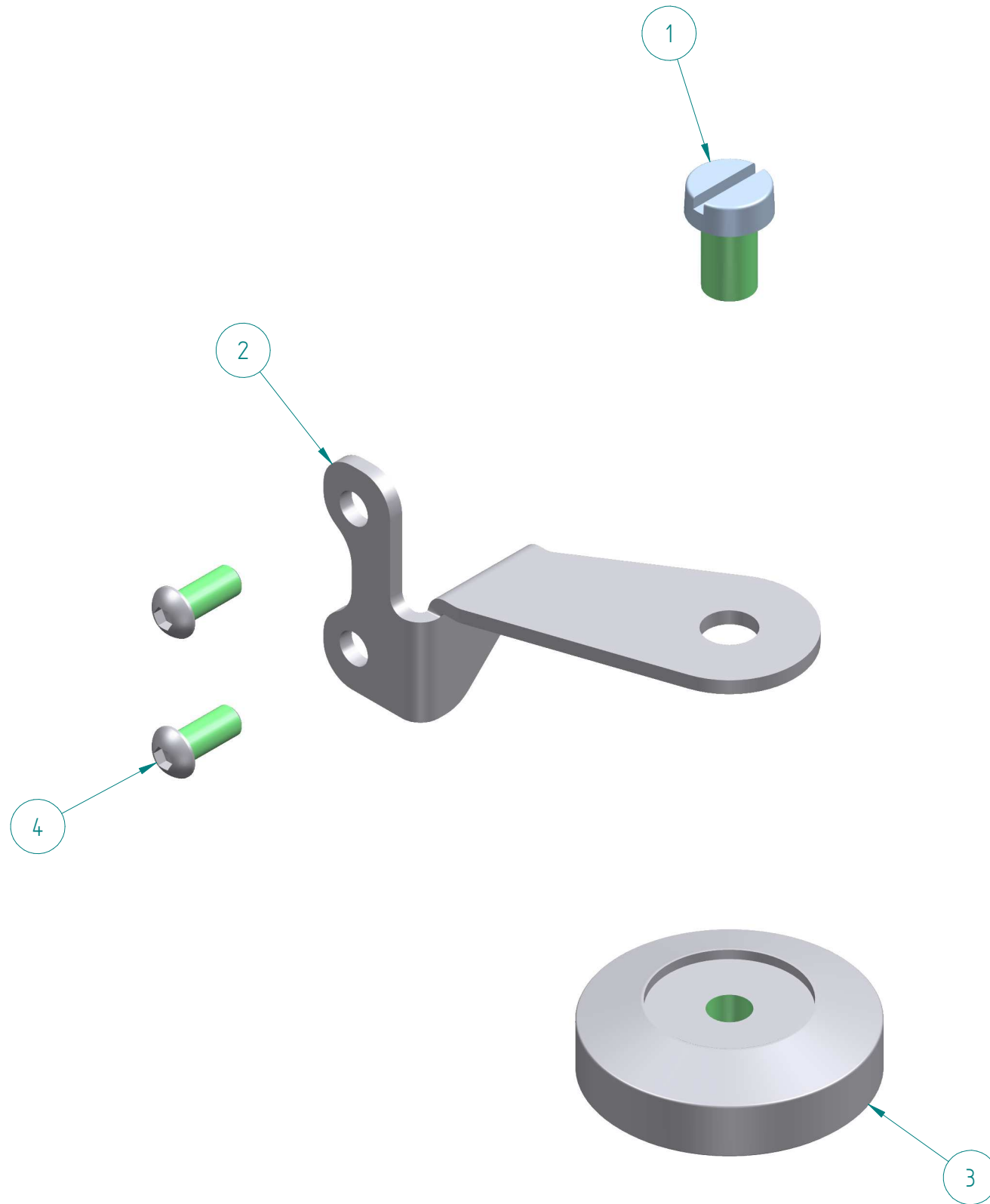


ITEM	OGGETTO	DESCRIZIONE	NOTE
1	B-MK-10675	GRINDING DISCS SET	
2	A-GR-0019	GRINDING DISCS SET GRINDER	B-GR-0090+B-GR-0091
2a	A-GR-0019MK	GRINDING DISCS SET GRINDER MK	(B-GR-0022+B-GR-0040) OLD VERSION
3	B-00-0251	ELASTIC WASHER D4 DIN 127 A2	
4	B-00-0250	SCREW TC- M4 x 25 DIN 84 A2	
5	B-00-0236	EXAGONAL NUT BLIND M8 DIN 1587 A2	
6	B-GR-0023	GRINDER ADJUSTING CROWN GEAR	
7	B-00-0261	SCREW TC+ A2 M3x12 DIN 7985	
8	B-GR-0052	TEMP.PROBE \varnothing 4 W/ TAPERED TIP	
9	B-00-0409	SCREW TC- A2 M5x8 DIN84	ORDER SEPARATELY



ITEM	CODE	DESCRIPTION	NOTE
	A-GR-0006	DC-ONE GRINDER SETTING UNIT	
1	A-GR-0109	GRINDER 24 V W. GEAR MOTOR	Since S.N. G120131
1a	B-MK-7159	DC-MOTOR 4 WATT 24 VOLTS	Until S.N. G120130
2	B-GR-0009	DC-ONE ADJUSTING MOTOR SUPPORT	
3	A-GR-0010	WORM SCREW W/ PINION DC-ONE	
4	B-GR-0031	DC-ONE-DC-TWO BUSH LOCKING BR	
5	B-GR-0030	DC-ONE MOTOR SIDE ANGLE PINION	
6	B-00-0197	GRUB SCREW M4 x 10 DIN 913	
7	B-00-0135	NUT M3 UNI5588	
8	B-00-0192	SCREW TC+ A2 M3x16 DIN7985	
9	B-00-0125	TAPPING SCREW TC+ 3.9 x 13 DIN 7981	

ITEM	CODE	DESCRIPTION	NOTE
	A-GR-0009	DC-ONE COMPLETE PRESSER D 54	
1	B-00-0212	SCREW TC A2 M10x16 DIN 84	
2	B-GR-0051	DC-ONE -PRESSER SUPPORT	
3	B-MC-0275	STAINLESS STEEL TAMPER	
4	B-00-0106	SCREW TBEI M6 x 14	



DALLA CORTE
SPARE PARTS CATALOGUE

DESCRIPTION
DC-ONE COMPLETE PRESSER D 54

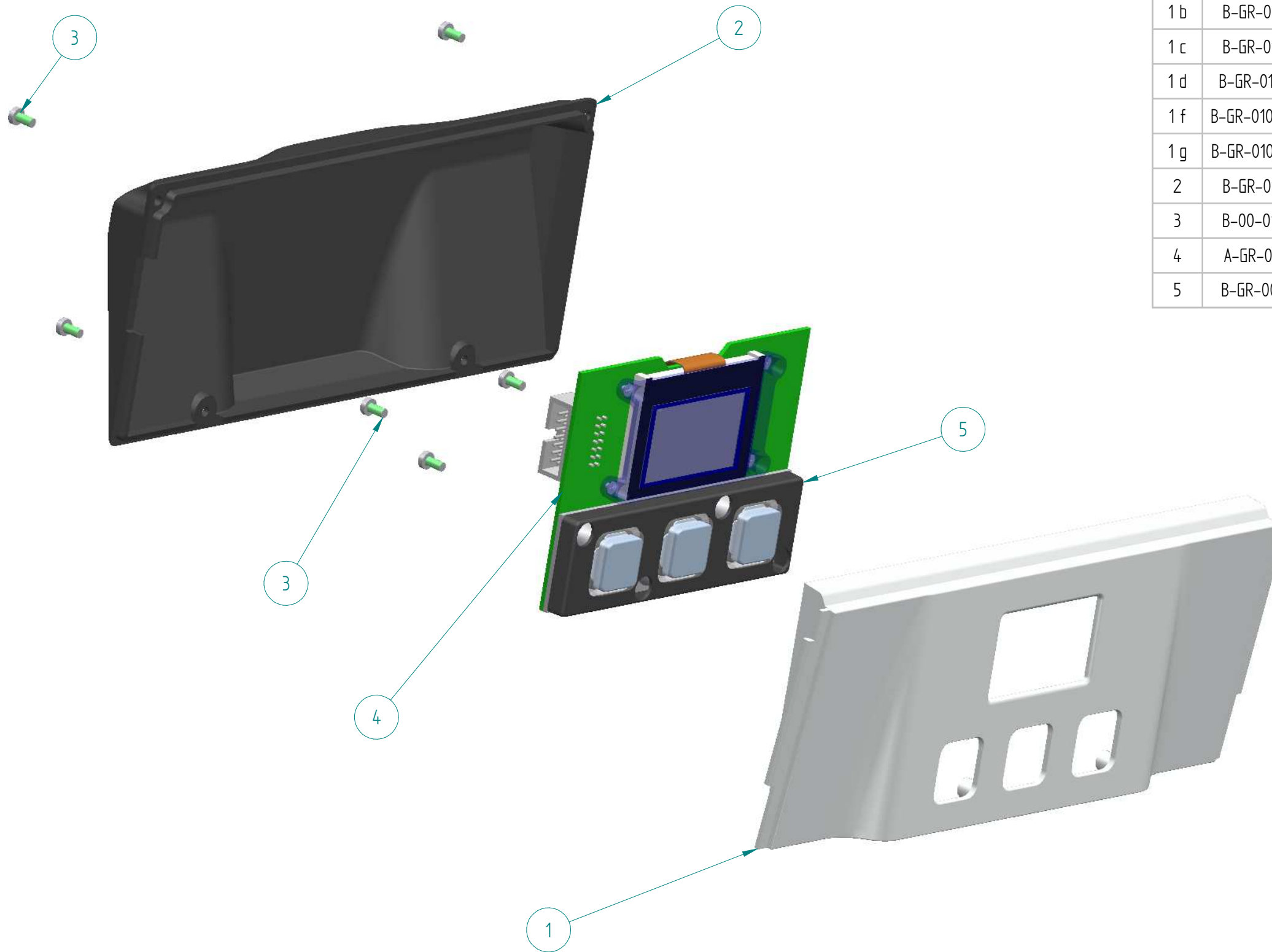
ASSEMBLY CODE
A-GR-0009

REV
21

EMISSION DATE
APRIL 2020

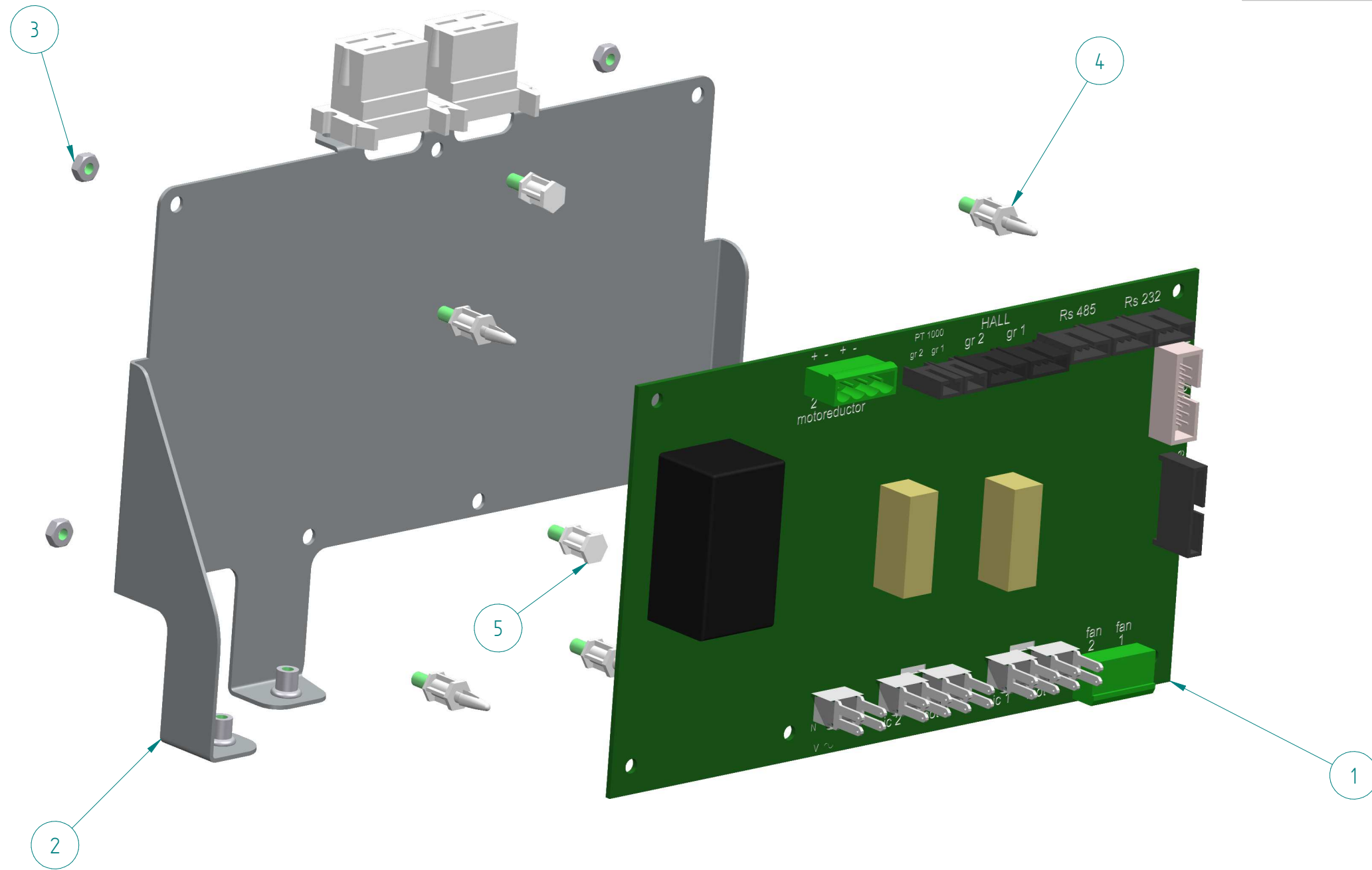
NOTE:
* ALTERNATIVE TO THE REPRESENTED COMPONENT

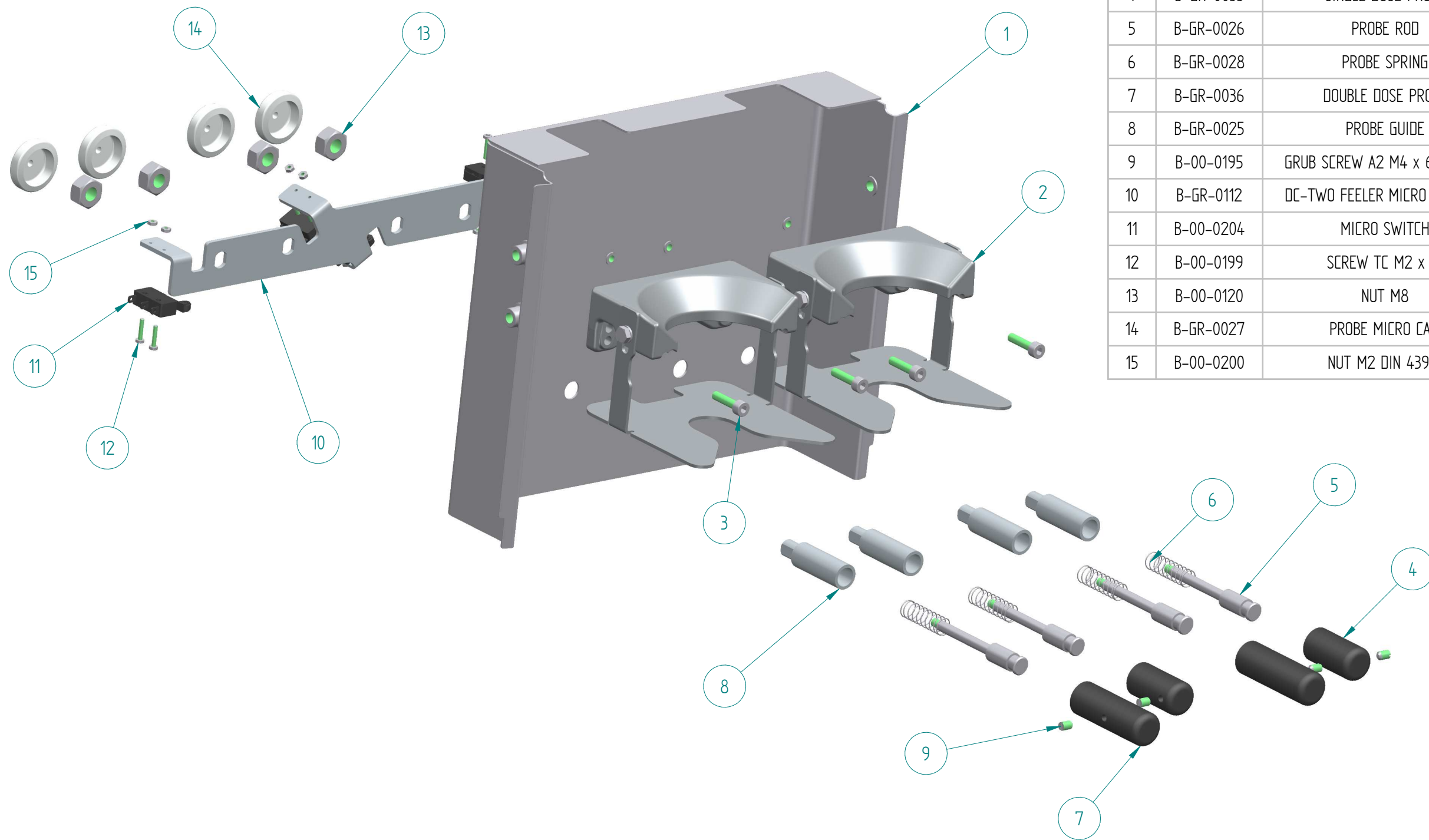
SHEET
10



ITEM	CODE	DESCRIPTION	NOTE
	A-GR-0108A	DC-TWO FRONT CONTROL P. ALUMINIUM	
1	B-GR-0147	DC-TWO FRONT CONTROL P. ALUMINIUM	
1 a	B-GR-0153	DC-TWO FRONT CONTROL WHITE RAL 9003	
1 b	B-GR-0154	DC-TWO FRONT CONTROL TITANIUM	
1 c	B-GR-0159	DC-TWO FRONT CONTROL BASE BLACK RAL 9005	
1 d	B-GR-0103D	DC-TWO FRONT CONTROL DARK RAL 9004	
1 f	B-GR-0103-QG	DC-TWO FRONT CONTROL Q. GREY	
1 g	B-GR-0103-SR	DC-TWO FRONT CONTROL SPARK.RED	
2	B-GR-0104	DC-TWO FRONT CONTROL P. BACKSI	
3	B-00-0182	SCREW TC+ M3x6 DIN7985 ZN	
4	A-GR-0110	DC-TWO KEYBOARD UNIT W/ DISPLAY	
5	B-GR-0008	GRINDER 3-BUTTON PANEL	

ITEM	CODE	DESCRIPTION	NOTE
	A-GR-0103	DC-TWO COMPLETE POWER BOARD	
1	B-GR-0116	DC-TWO POWER BOARD	
2	B-GR-0114	DC-TWO POWER BOARD SUPPORT	
3	B-00-0121	NUT M4 DADO M4 UNI 5588 ZN	
4	B-00-0317	DIST. NYLON 9.5MM MSCBS-06-19	
5	B-00-0319	DIST. NYLON H10 FOR SUPPORT	





ITEM	CODE	DESCRIPTION	NOTE
	A-GR-0105	DC-TWO LOWER FRONT PANEL	
1	B-GR-0105	DC-TWO LOWER FRONT PANEL	
2	A-GR-0011	FILTER HOLDER SUPPORT	
2 a	K-0157	FILTER HOLDER INLET RELOC.KIT	
3	B-00-0209	SCREW TCCE M4x16 A2 DIN912	
4	B-GR-0035	SINGLE DOSE PROBE	
5	B-GR-0026	PROBE ROD	
6	B-GR-0028	PROBE SPRING	
7	B-GR-0036	DOUBLE DOSE PROBE	
8	B-GR-0025	PROBE GUIDE	
9	B-00-0195	GRUB SCREW A2 M4 x 6 DIN 914	
10	B-GR-0112	DC-TWO FEELER MICRO SUPPORT	
11	B-00-0204	MICRO SWITCH	
12	B-00-0199	SCREW TC M2 x 10	
13	B-00-0120	NUT M8	
14	B-GR-0027	PROBE MICRO CAM	
15	B-00-0200	NUT M2 DIN 439 B	



B-00-0211
BRUSH FOR GRINDER CLEANING

B-00-0214
SPANNER 7



B-GR-0082
GRINDZ - GRINDER CLEANER (BOX 215 g)

B-GR-0053
PROGRAMMING USB KEY



B-GR-0096
GRINDZ - GRINDER CLEANER (BOX 430 g)



B-GR-0055
GRINDER SERIAL CABLE

B-MC-0391
SERIAL CABLE FOR GRINDER

K-0144
MAINTENANCE KIT SPARE PARTS

