

DALLA
CORTE

SPARE PARTS CATALOGUE

dc

one



ITEM	CODE	DESCRIPTION	NOTE
1	A-GR-0003A	FRONT PANEL CONTROLS ALUMINIUM	See Detail Sheet 11
1a	A-GR-0003N	FRONT PANEL CONTROLS BLACK PAINTED RAL 9005	See Detail Sheet 11
1b	A-GR-0003T	FRONT PANEL CONTROLS TITANIUM PAINTED	See Detail Sheet 11
1c	A-GR-0003W	FRONT PANEL CONTROLS WHITE PAINTED RAL 9003	See Detail Sheet 11
1d	A-GR-0003D	FRONT PANEL CONTROLS DARK PAINTED RAL 9004	See Detail Sheet 11
1f	A-GR-0003QG	FRONT PANEL CONTROLS Q.GREY	See Detail Sheet 11
1g	A-GR-0003SR	FRONT PANEL CONTROLS SPARK.RED	See Detail Sheet 11
2	B-GR-0164A	ANODIZED RIGHT PANEL	Add n.1 B-MC-0704A
2a	B-GR-0157CNN	RIGHT PANEL BLACK RAL 9005	Add n.1 B-MC-0704A
2b	B-GR-0162C	RIGHT PANEL Q. GREY RAL 7039	Add n.1 B-MC-0704A
2c	B-GR-0163C	RIGHT PANEL SPARK RED RAL 3000	Add n.1 B-MC-0704A
2d	B-GR-0165C	RIGHT PANEL WHITE RAL 9003	Add n.1 B-MC-0704A
2e	B-GR-0155CD	RIGHT PANEL DARK RAL 9004	Add n.1 B-MC-0704A
2f	K-0196-0	OAK PANELS KIT DC ONE	PAN. R + PAN. L + PAN. REAR
2g	K-0196-WN	WALNUT PANELS KIT DC ONE	PAN. R + PAN. L + PAN. REAR
3	B-MC-0704A	DC LOGO PL. SMALL 42X46	
4	A-GR-0009	DC-ONE COMPLETE PRESSER D 54	See Detail Sheet 10
5	B-GR-0007	GRINDER COFFEE COLLECT. TRAY	
6	B-GR-0070	ANODIZED LEFT PANEL	
6a	B-GR-0077NN	LEFT PANEL BLACK RAL 9005	
6b	B-GR-0097Q	LEFT PANEL Q. GREY RAL 7039	
6c	B-GR-0097R	LEFT PANEL SPARK RED RAL 3000	
6d	B-GR-0136	LEFT PANEL WHITE RAL 9003	
6e	B-GR-0003D	LEFT PANEL DARK RAL 9004	
6f	K-0196-0	OAK PANELS KIT DC ONE	PAN. R + PAN. L + PAN. REAR
6g	K-0196-WN	WALNUT PANELS KIT DC ONE	PAN. R + PAN. L + PAN. REAR
7	B-GR-0076	GRINDER ANGLE EL. ALUMINIUM	
7a	B-GR-0062	ANGLE WHITE PAINTED RAL 9003	
7b	B-GR-0063	ANGLE TITANIUM PAINTED	
7c	B-GR-0003D	ANGLE DARK PAINTED RAL 9004	
7d	B-GR-0132	ANGLE BLACK PAINTED RAL 9005	
7f	B-GR-0002-QG	ANGLE BLACK PAINTED Q. GREY	
7g	B-GR-0002-SR	ANGLE BLACK PAINTED SPARK. RED	
8	B-00-0068	2-POLE SWITCH 250V 16 A	
9	B-GR-0057	DC GRINDER INT. SERIAL CABLE	
10	B-GR-0054	CAP FOR CONNECTORS	
11	B-GR-0069	REAR PANEL ANODIZED	
11a	B-GR-0079NN	REAR PANEL BLACK RAL 9005	
11b	B-GR-0099Q	REAR PANEL Q. GREY RAL 7039	
11c	B-GR-0099R	REAR PANEL S.RED RAL 3000	
11d	B-GR-0135	REAR PANEL WHITE RAL 9003	
11f	B-GR-0004D	REAR PANEL DARK RAL 9004	
11g	K-0196-0	OAK PANELS KIT DC ONE	PAN. R + PAN. L + PAN. REAR
11h	K-0196-WN	WALNUT PANELS KIT DC ONE	PAN. R + PAN. L + PAN. REAR

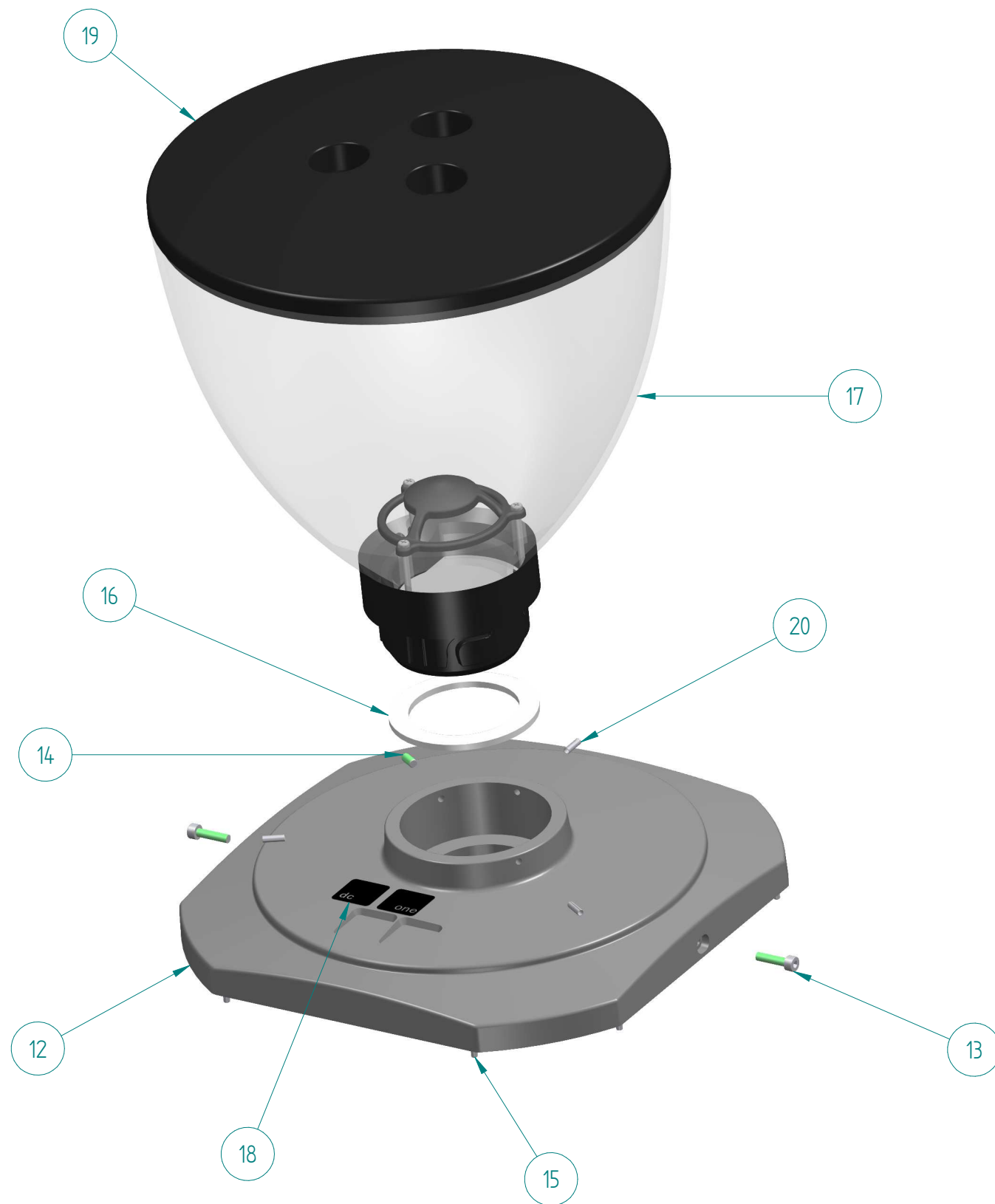
DALLA CORTE
SPARE PARTS CATALOGUE

DESCRIPTION	GENERAL EXPLODE
ASSEMBLY CODE	

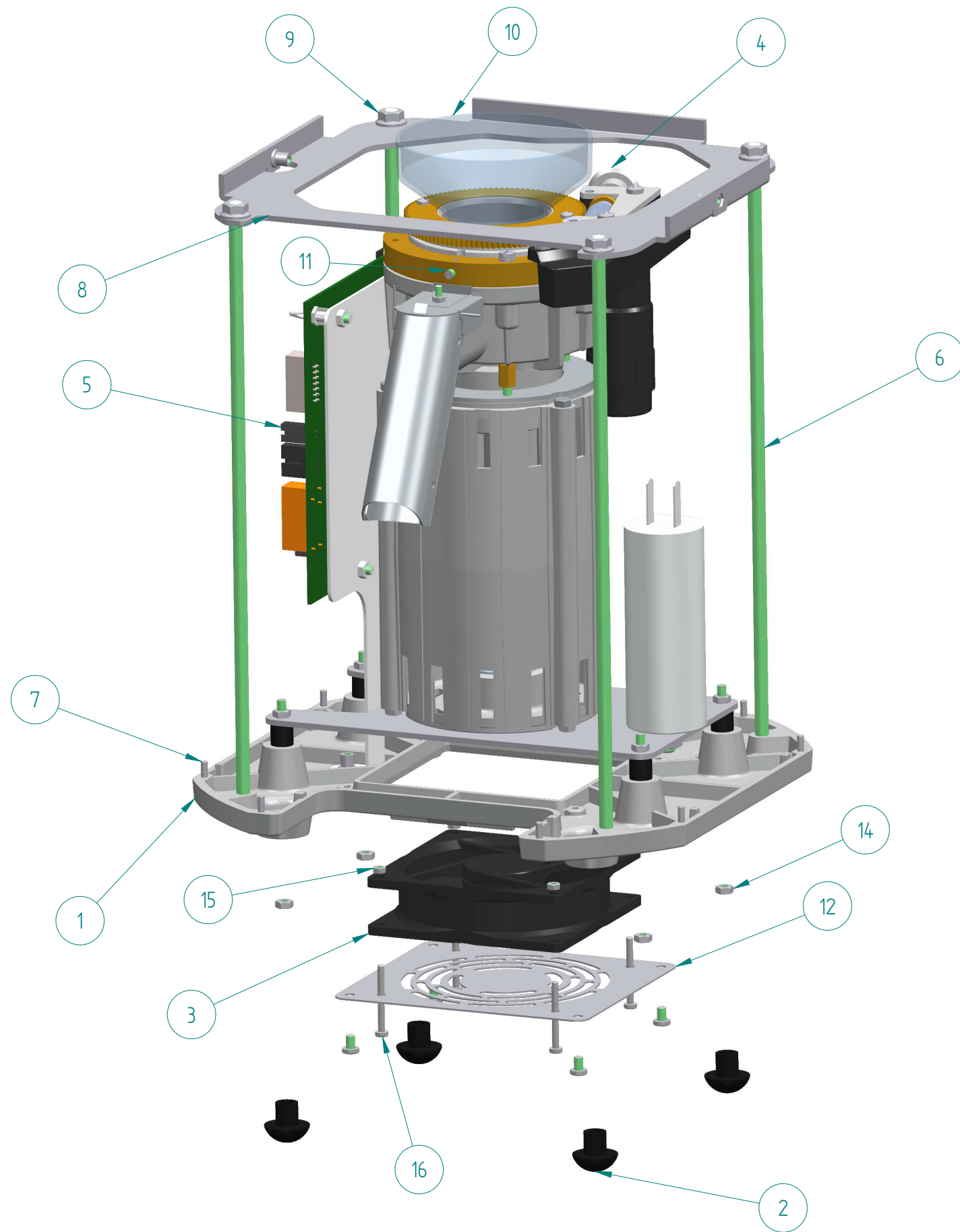
REV	26
EMISSION DATE	APRIL 2020

NOTE:	* ALTERNATIVE TO THE REPRESENTED COMPONENT

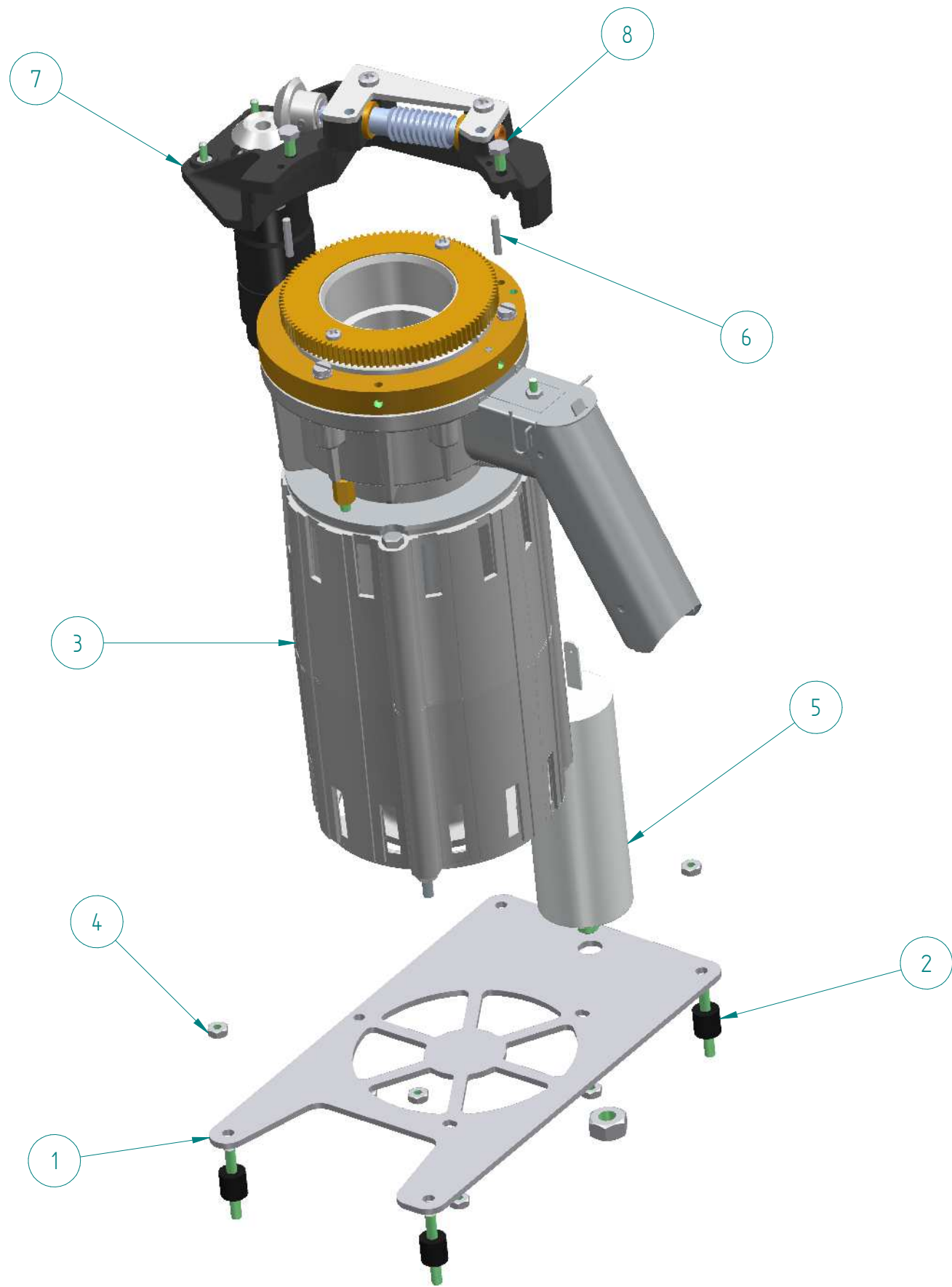
SHEET	3
-------	---



ITEM	CODE	DESCRIPTION	NOTE
12	B-GR-0074	DC-ONE GRINDER TOP ALUMINIUM	
12a	B-GR-0064	DC-ONE GRINDER TOP WHITE RAL 9003	
12b	B-GR-0065	DC-ONE GRINDER TOP TITANIUM	
12c	B-GR-0134	DC-ONE GRINDER TOP BLACK RAL 9005	
12d	B-GR-0006D	DC-ONE GRINDER TOP DARK RAL 9004	
12f	B-GR-0006-QG	DC-ONE GRINDER TOP Q.GREY	
12g	B-GR-0006-SR	DC-ONE GRINDER TOP SPARKLING RED	
13	B-00-0209	SCREW TCCE M4x16 A2 DIN912	
14	B-00-0197	GRUB SCREW M4 x 10 DIN 913	
15	B-00-0202	CYLINDRICAL PIN D3x10	
16	B-GR-0209	HOPPER GASKET 3mm	
17	A-GR-0014	DC1 COMPLETE FEEDBOX	
18	B-GR-0039	DC-ONE PLATE (2 PCS)	
19	B-GR-0125	HOPPER COVER DC-ONE	
20	B-00-0323	SPRING PIN D3 x 10	



ITEM	CODE	DESCRIPTION	NOTE
1	B-GR-0073	DC-ONE GRINDER BASE ALUMINIUM	
1a	B-GR-0061	DC-ONE GRINDER BASE TITANIUM	
1b	B-GR-0060	DC-ONE GRINDER BASE WHITE RAL 9003	
1c	B-GR-0131	DC-ONE GRINDER BASE BLACK RAL 9005	
1d	B-GR-0001D	DC-ONE GRINDER BASE DARK RAL 9004	
1f	B-GR-0001-QG	DC-ONE GRINDER BASE QUARTZ GREY	
1g	B-GR-0001-SR	DC-ONE GRINDER BASE SPARKLING RED	
2	B-00-0196	RUBBER FOOT	
3	B-GR-0043	GRINDER FAN	
4	A-GR-0002	DC-ONE GRINDER MECHANICS	See Detail Sheet 6
5	A-GR-0008	DC-ONE COMPLETE POWER BOARD	See Detail Sheet 12
6	B-00-0201	TIE EL. FE ZN M6x275 DIN 975	
7	B-00-0194	CYLINDRICAL PIN D3 x 16	
8	B-GR-0012	DC-ONE CONNECTION PLATE	
9	B-00-0113	FLANGED NUT M6 DIN6923	
10	B-GR-0092	GRINDER INTERNAL FUNNEL	
11	B-00-0195	GRUB SCREW A2 M4 x 6 DIN 914	
12	B-GR-0020	DC-ONE FAN PROTECTION	
13*	B-00-0111	SCREW TC+ A2 M4x6 DIN7985	
14	B-00-0121	NUT M4 DADO M4 UNI 5588 ZN	
15	B-00-0135	NUT M3 UNI5588	
16	B-00-0193	SCREW TC+ M3x30 DIN 7985 A	



ITEM	CODE	DESCRIPTION	NOTE
	A-GR-0002	DC-ONE GRINDER MECHANICS	
1	B-GR-0011	DC-ONE MOTOR SUPPORT PLATE	
2	B-00-0198	ANTIVIBRATION M4 x 10 55SH	
3	A-GR-0012	GRINDING UNIT MY15	Since S.N. G150264 See Sh. 7 e 8
3a	A-GR-0004	DC-ONE -GROUP OF GRIND	Until S.N. G150263
3b	A-GR-0015	GRINDING UNIT 115V	
4	B-00-0121	NUT M4 DADO M4 UNI 5588 ZN	
5	B-00-0420	12,5 µF CONDENSER UL	
5a	B-00-0356	30 µF CONDENSER UL	
6	B-00-0194	CYLINDRICAL PIN D3 x 16	
7	A-GR-0006	DC-ONE GRINDER SETTING UNIT	See Detail Sheet 9
8	B-00-0102	SCREW TE 8.8 M4x8 DIN933	

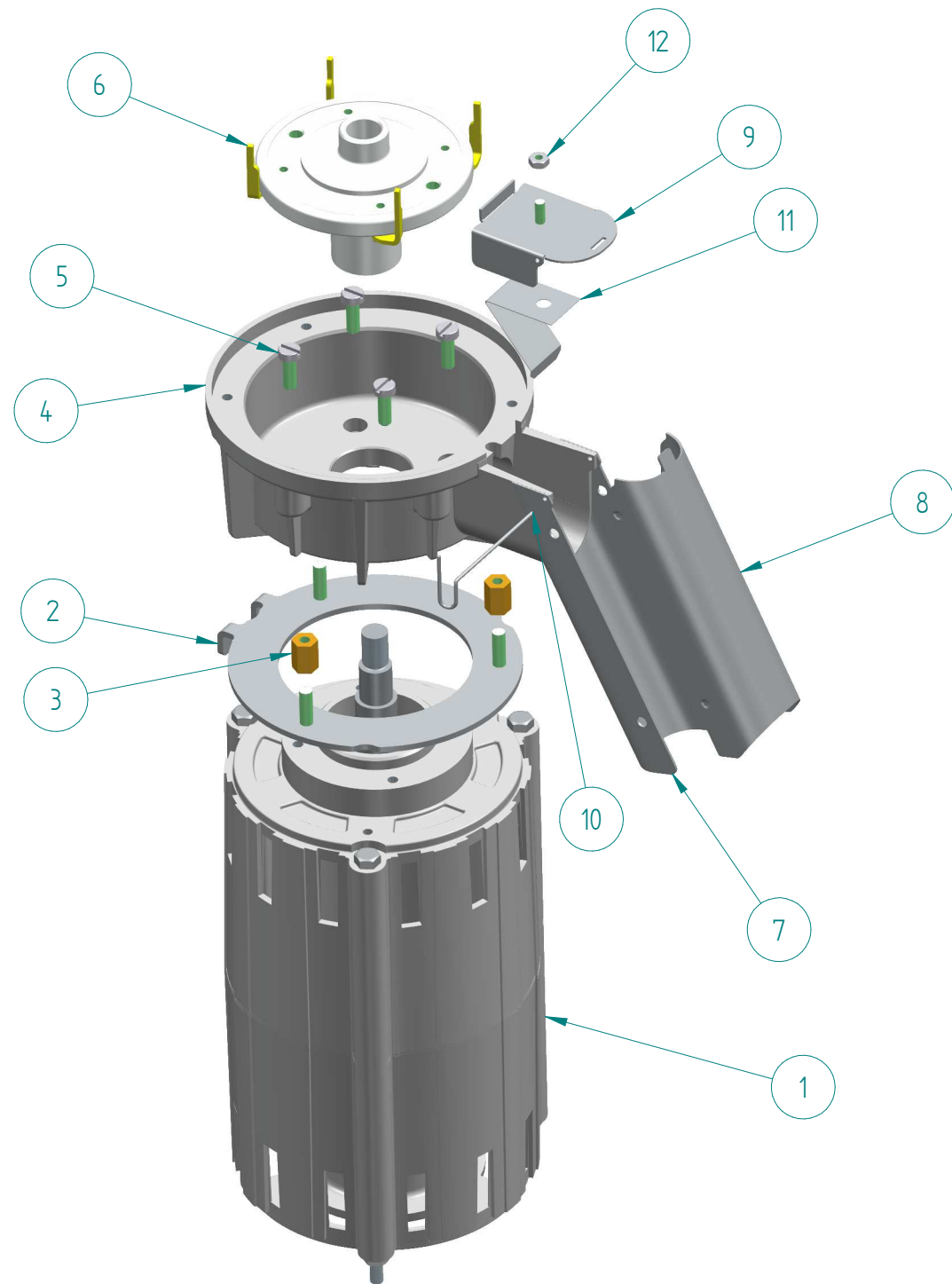
DALLA CORTE
SPARE PARTS CATALOGUE

DESCRIPTION	DC-ONE GRINDER MECHANICS
ASSEMBLY CODE	A-GR-0002

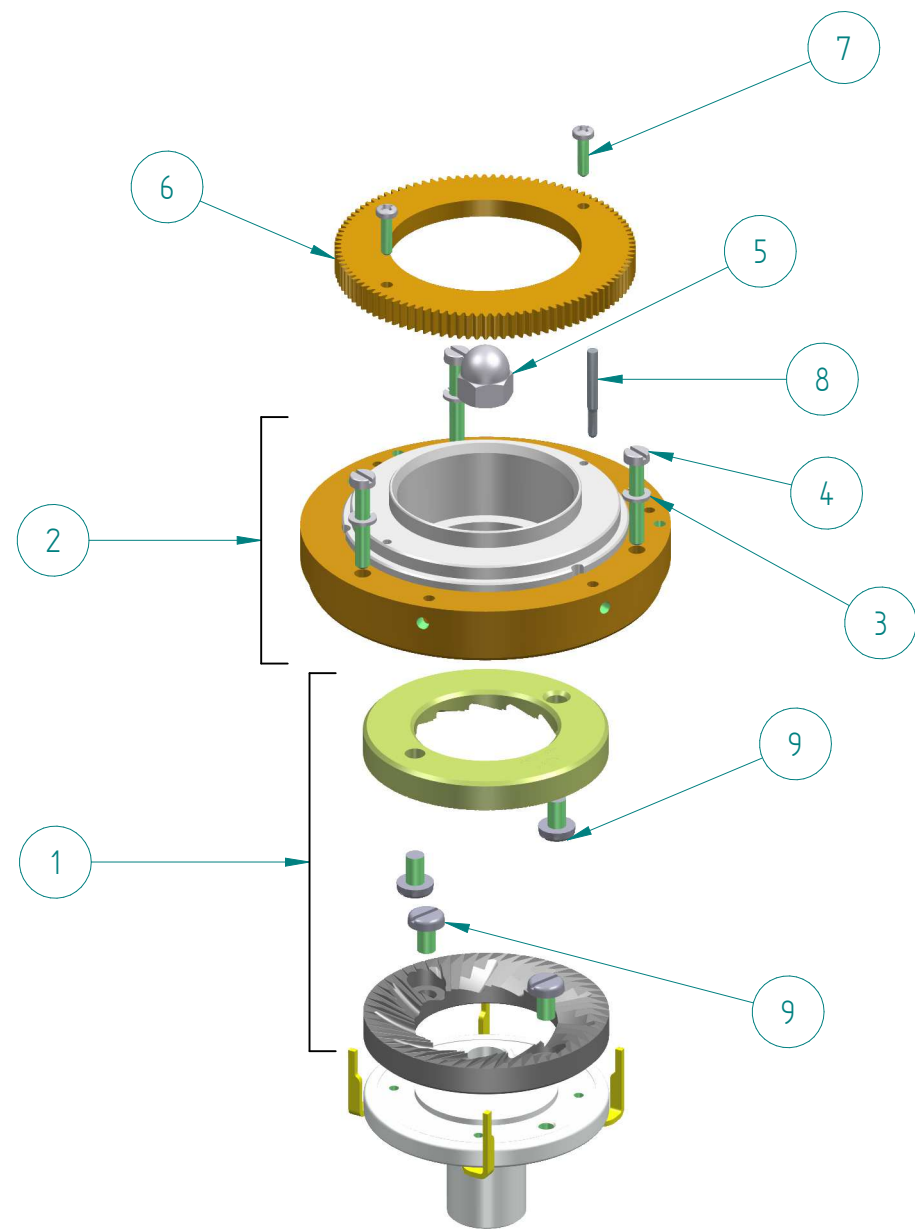
REV	26
EMISSION DATE	APRIL 2020

NOTE:	* ALTERNATIVE TO THE REPRESENTED COMPONENT

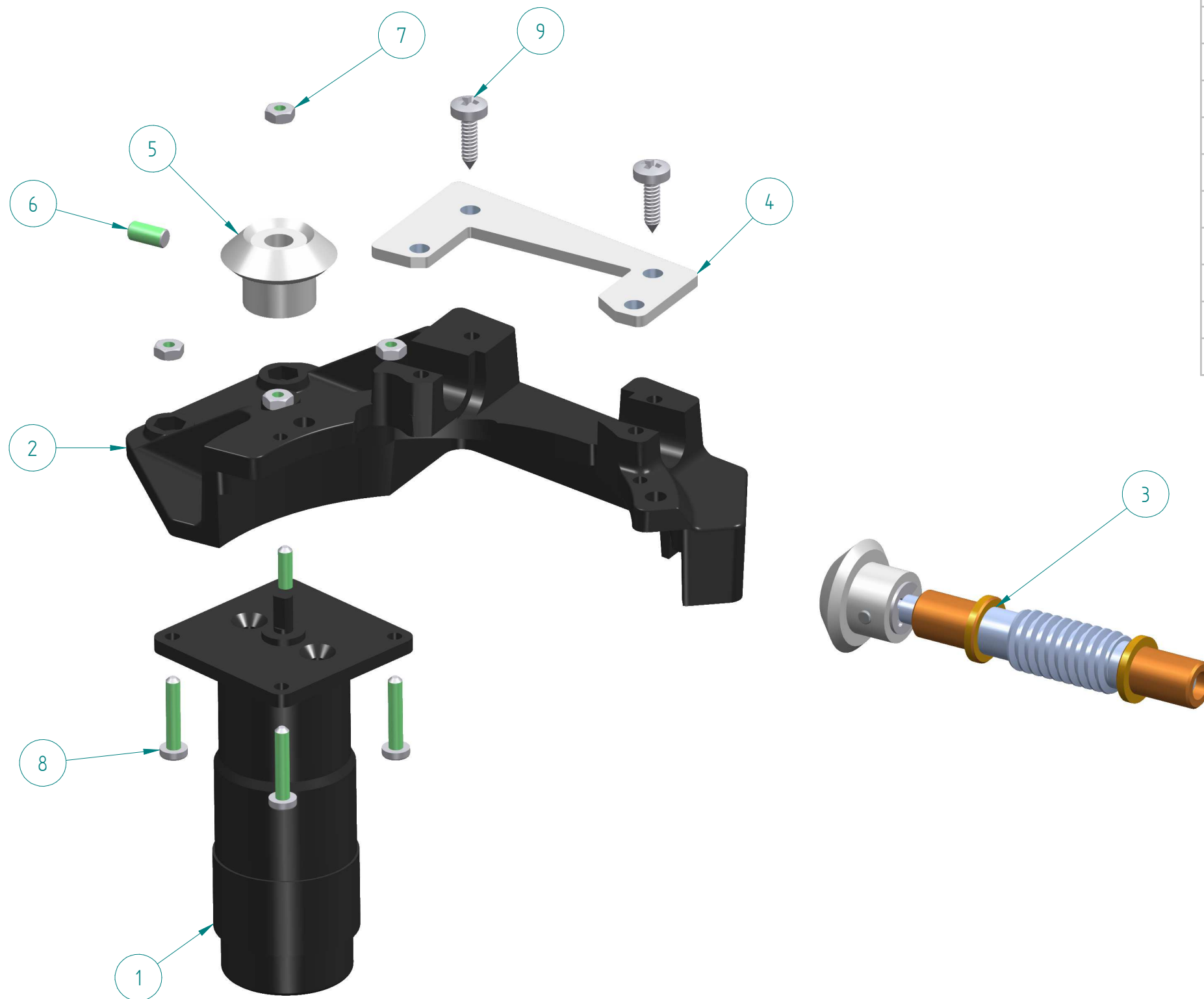
SHEET	6
-------	---



ITEM	CODE	DESCRIPTION	NOTE
1	B-00-0219	MOTOR 230V 245W CL "F"	
2	B-GR-0142	MAX GRINDING BODY ADJUST.RING	
3	B-GR-0170	THREADED SOCKET M4 x 10	
4	B-GR-0083A	GRINDING UNIT BODY	Since S.N. G150264
4a	B-GR-0083	BODY GROUP GRINDING GRINDER	Until S.N. G150263
5	B-00-0249	SCREW TC- M4 x 12	
6	A-GR-0111	LOWER G. DISC HOLDER-GRINDER	
6a	A-GR-0111MK	LOWER G. DISC HOLDER-GRINDER MK	OLD VERSION
7	B-GR-0139BEP	SPOUT	
8	B-GR-0140BEP	GRINDER SPOUT COVER	
9	B-GR-0141	SPOUT TOP COVER	
10	B-GR-0148	SPOUT FIXING SPRING	
11	B-GR-0174	FLAT SPRING	Since S.N. G15002058
12	B-00-0135	NUT M3 UNI5588	

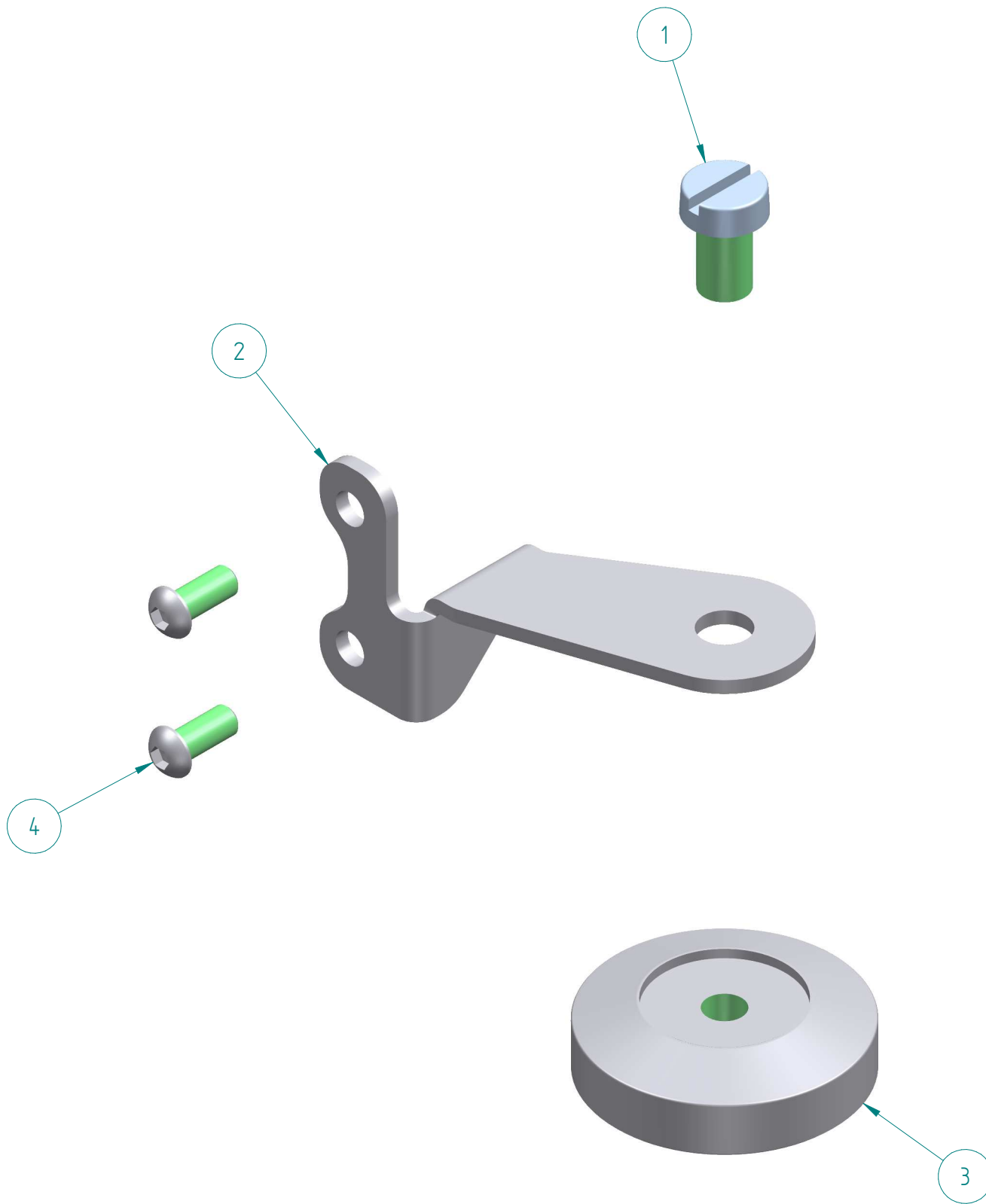


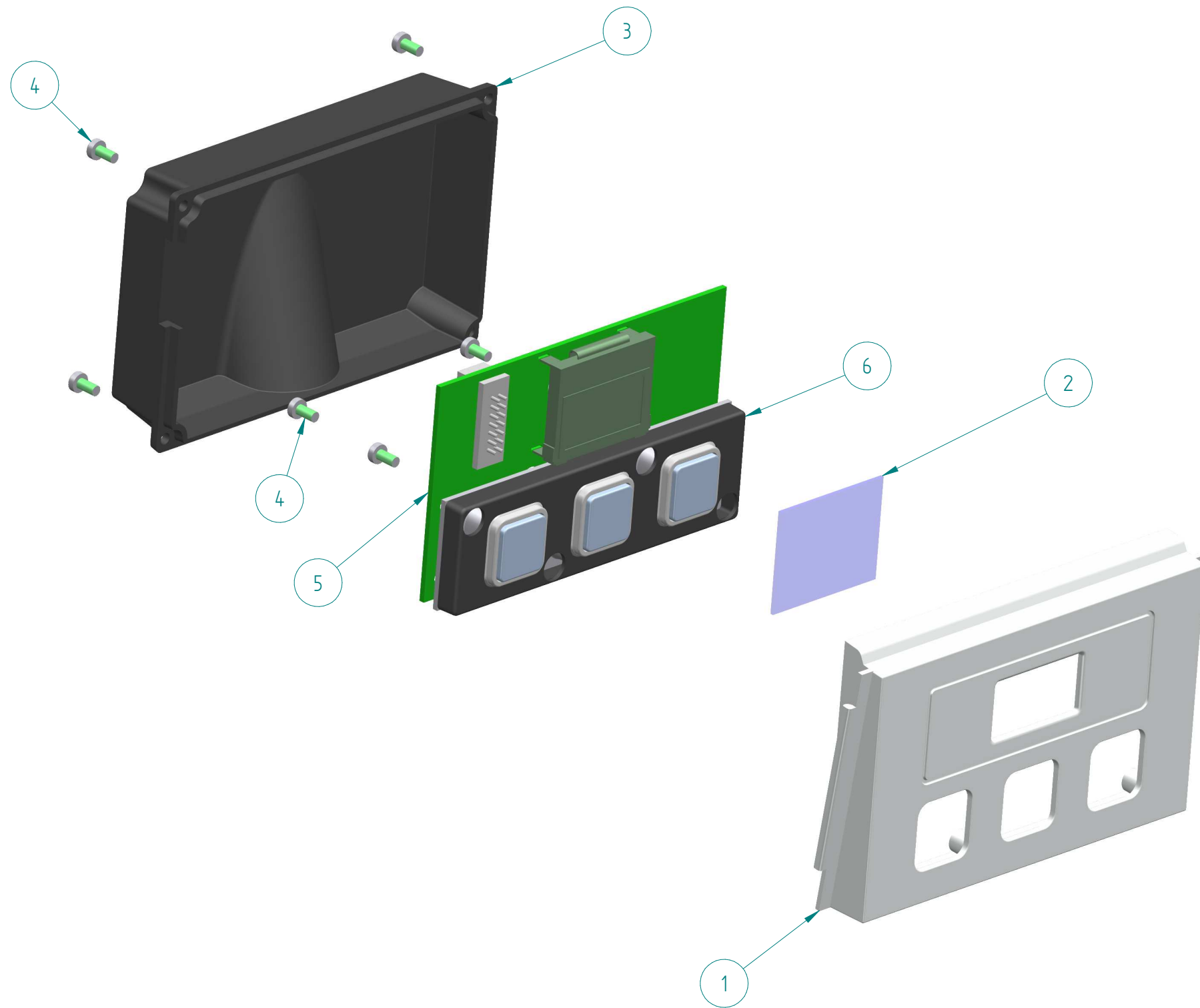
ITEM	OGGETTO	DESCRIZIONE	NOTE
1	B-MK-10675	GRINDING DISCS SET	
2	A-GR-0019	GRINDING DISCS SET GRINDER	B-GR-0090+B-GR-0091
2a	A-GR-0019MK	GRINDING DISCS SET GRINDER MK	(B-GR-0022+B-GR-0040) OLD VERSION
3	B-00-0251	ELASTIC WASHER D4 DIN 127 A2	
4	B-00-0250	SCREW TC- M4 x 25 DIN 84 A2	
5	B-00-0236	EXAGONAL NUT BLIND M8 DIN 1587 A2	
6	B-GR-0023	GRINDER ADJUSTING CROWN GEAR	
7	B-00-0261	SCREW TC+ A2 M3x12 DIN 7985	
8	B-GR-0052	TEMP.PROBE \varnothing 4 W/ TAPERED TIP	
9	B-00-0409	SCREW TC- A2 M5x8 DIN84	ORDER SEPARATELY



ITEM	CODE	DESCRIPTION	NOTE
	A-GR-0006	DC-ONE GRINDER SETTING UNIT	
1	A-GR-0109	GRINDER 24 V W. GEAR MOTOR	Since S.N. G120131
1a	B-MK-7159	DC-MOTOR 4 WATT 24 VOLTS	Until S.N. G120130
2	B-GR-0009	DC-ONE ADJUSTING MOTOR SUPPORT	
3	A-GR-0010	WORM SCREW W/ PINION DC-ONE	
4	B-GR-0031	DC-ONE-DC-TWO BUSH LOCKING BR	
5	B-GR-0030	DC-ONE MOTOR SIDE ANGLE PINION	
6	B-00-0197	GRUB SCREW M4 x 10 DIN 913	
7	B-00-0135	NUT M3 UNI5588	
8	B-00-0192	SCREW TC+ A2 M3x16 DIN7985	
9	B-00-0125	TAPPING SCREW TC+ 3.9 x 13 DIN 7981	

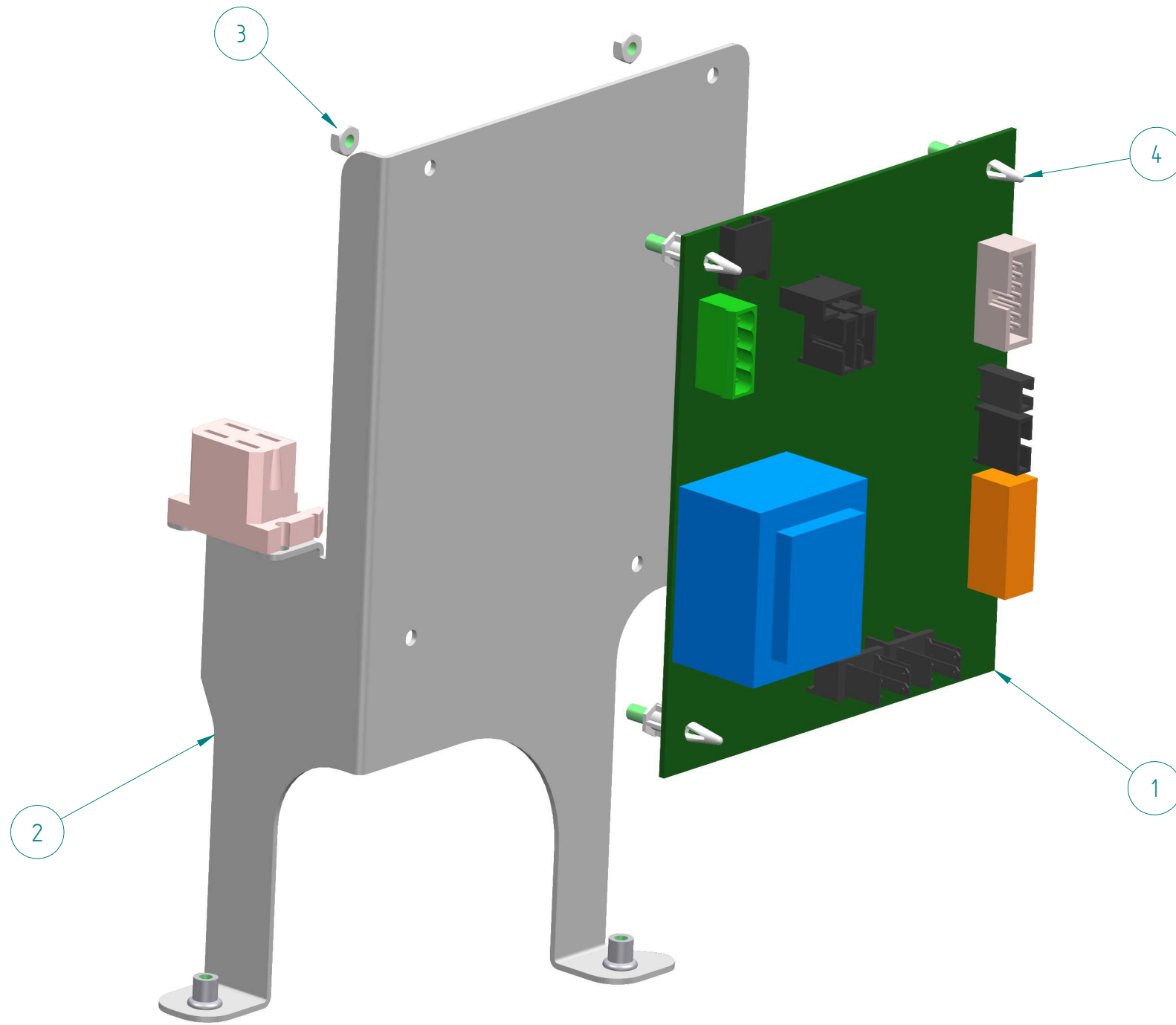
ITEM	CODE	DESCRIPTION	NOTE
	A-GR-0009	DC-ONE COMPLETE PRESSER D 54	
1	B-00-0212	SCREW TC A2 M10x16 DIN 84	
2	B-GR-0051	DC-ONE -PRESSER SUPPORT	
3	B-MC-0275	STAINLESS STEEL TAMPER	
4	B-00-0106	SCREW TBEI M6 x 14	

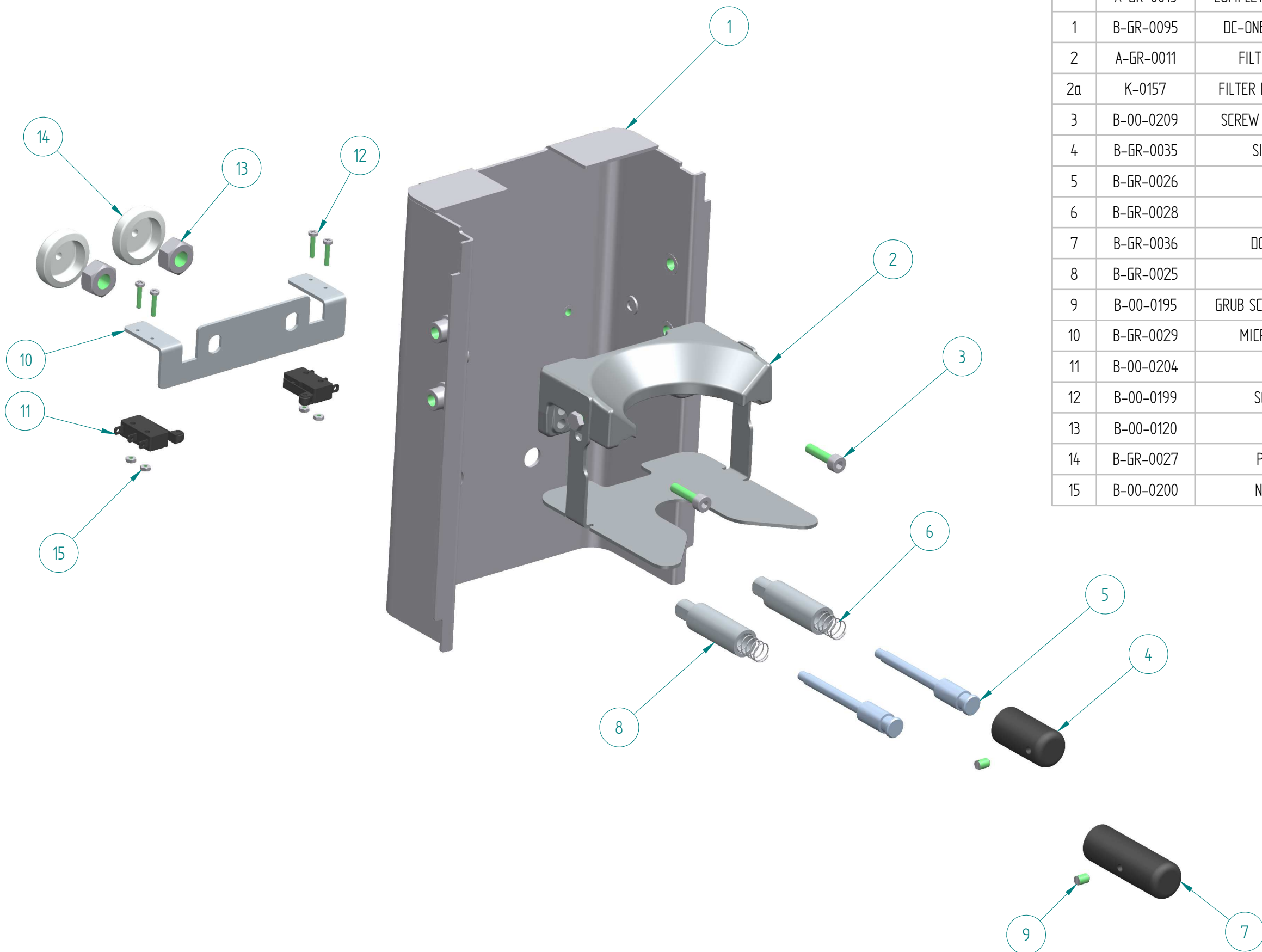




ITEM	CODE	DESCRIPTION	NOTE
	A-GR-0003A	FRONT PANEL CONTROLS ALUMINIUM	
1	B-GR-0075	ALUMINIUM PAINTED FRONT PANEL CONTROLS	
1a	B-GR-0067	WHITE PAINTED FRONT PANEL CONTROLS RAL 9003	
1b	B-GR-0068	TITANIUM PAINTED FRONT PANEL CONTROLS	
1c	B-GR-0133	BLACK PAINTED FRONT PANEL CONTROLS RAL 9005	
1d	B-GR-0014D	DARK PAINTED FRONT PANEL CONTROLS RAL 9004	
1f	B-GR-0014-QG	Q.GREY PAINTED FRONT PANEL CONTROLS	
1g	B-GR-0014-SR	SPARK.RED PAINTED FRONT PANEL CONTROLS	
2	B-GR-0019	DC-ONE GLASS DISPLAY	
3	B-GR-0015	DC-ONE FRONT CONTROL P. BACKSI	
4	B-00-0182	SCREW TC+ M3x6 DIN7985 ZN	
5	B-GR-0016	DC-ONE KEYBOARD W/ DISPLAY	
6	B-GR-0008	GRINDER 3-BUTTON PANEL	

ITEM	CODE	DESCRIPTION	NOTE
	A-GR-0008	DC-ONE COMPLETE POWER BOARD	
1	B-GR-0010	DC-ONE ELECT. POWER BOARD 230V	
1a	B-GR-0072	ELECTRONIC BOARD POWER 115 V	Used in USA
2	B-GR-0034	DC-ONE ELECTRONIC BOARD SUPPOR	
3	B-00-0318	NUT M4 NYLON	
4	B-00-0317	DIST. NYLON 9.5MM MSCBS-06-19	





ITEM	CODE	DESCRIPTION	NOTE
	A-GR-0013	COMPLETE LOWER FRONT DC-ONE	
1	B-GR-0095	DC-ONE FRONT PANEL AISI304	
2	A-GR-0011	FILTER HOLDER SUPPORT	Since S.N. G150233
2a	K-0157	FILTER HOLDER INLET RELOC.KIT	
3	B-00-0209	SCREW TCCE M4x16 A2 DIN912	
4	B-GR-0035	SINGLE DOSE PROBE	
5	B-GR-0026	PROBE ROD	
6	B-GR-0028	PROBE SPRING	
7	B-GR-0036	DOUBLE DOSE PROBE	
8	B-GR-0025	PROBE GUIDE	
9	B-00-0195	GRUB SCREW A2 M4 x 6 DIN 914	
10	B-GR-0029	MICRO SWITCH SUPPORT	
11	B-00-0204	MICRO SWITCH	
12	B-00-0199	SCREW TC M2 x 10	
13	B-00-0120	NUT M8	
14	B-GR-0027	PROBE MICRO CAM	
15	B-00-0200	NUT M2 DIN 439 B	

DALLA CORTE
SPARE PARTS CATALOGUE

DESCRIPTION
COMPLETE LOWER FRONT DC-ONE

ASSEMBLY CODE
A-GR-0013

REV
26

EMISSION DATE
APRIL 2020

NOTE:
* ALTERNATIVE TO THE REPRESENTED COMPONENT

SHEET
13



B-00-0211
BRUSH FOR GRINDER CLEANING

B-00-0214
SPANNER 7



B-GR-0082
GRINDZ - GRINDER CLEANER (BOX 215 g)

B-GR-0053
PROGRAMMING USB KEY



B-GR-0096
GRINDZ - GRINDER CLEANER (BOX 430 g)



B-GR-0055
GRINDER SERIAL CABLE

B-MC-0391
SERIAL CABLE FOR GRINDER

K-0100
MAINTENANCE KIT SPARE PARTS



K-0159
MULTIGRINDER CONNECTION KIT
(NOT SHOWN)